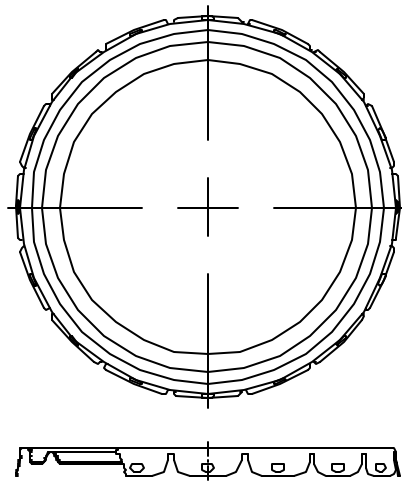
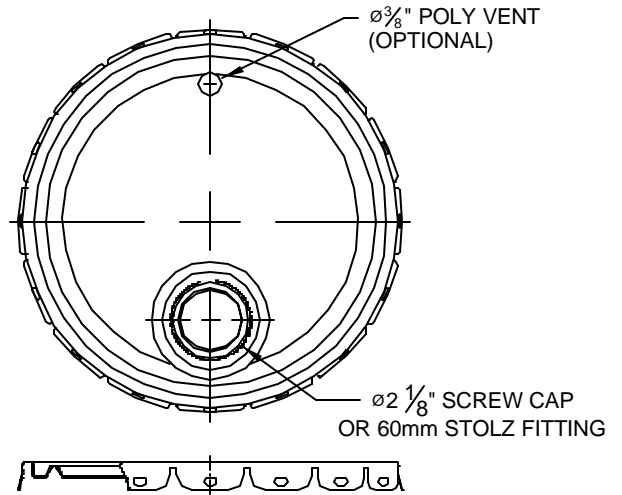


Hi-Perform Lug Cover

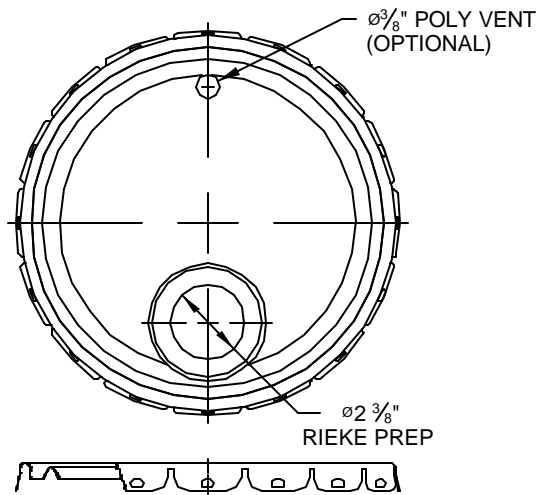
(UN Regulated)



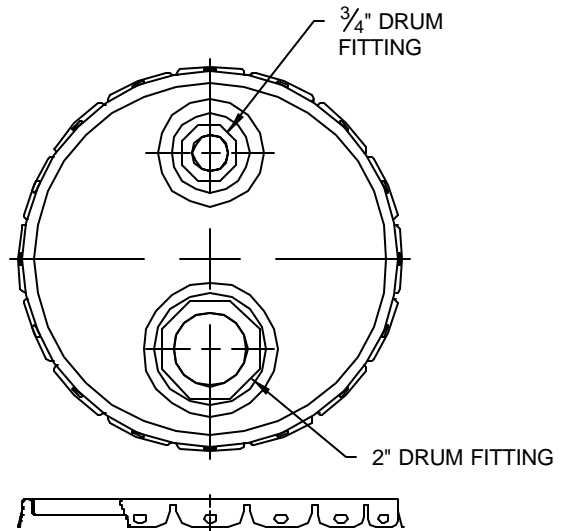
Hi-Perform Cover



Screw Cap & Stolz Fitting:



Rieke Prep:



Drum Fittings:

| COVER GASKETS AVAILABLE |
|---|
| Flow - in Gasket |
| G1 - EPDM Closed-cell Cord |
| G2 - Neoprene Tubular Gasket - White |
| G3 - Neoprene Tubular Gasket - Black |
| G3Q - Neoprene Tubular Gasket |
| G6 - SBR Tubular Gasket - Black (small dia) |

NOTES:

1. Fits all Steel pails 2.5 gallon to 7.0 gallon.