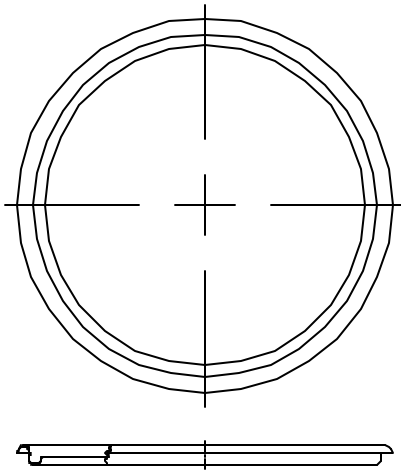
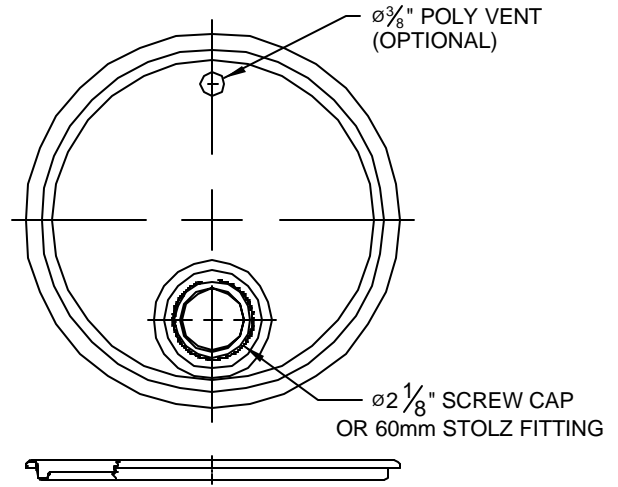


S Ring Seal Cover

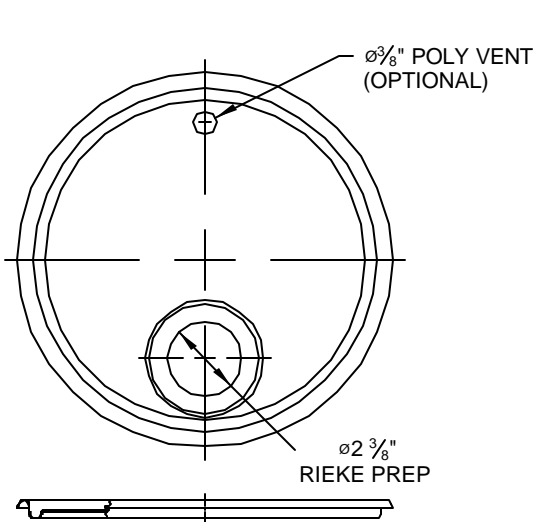
(U.N. Rated)



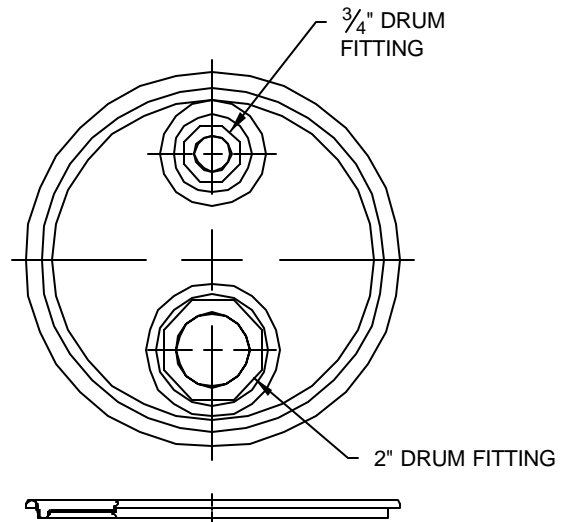
Ring Seal Cover



Screw Cap & Stolz Fitting:



Rieke Prep:



Drum Fittings:

COVER GASKETS AVAILABLE
Flow - in Gasket
G1 - EPDM Closed-cell Cord
G2 - Neoprene Tubular Gasket - White
G3 - Neoprene Tubular Gasket - Black
G3Q - Neoprene Tubular Gasket
G6 - SBR Tubular Gasket - Black (small dia)

NOTES:

1. Fits all Steel pails 2.5 gallon to 7.0 gallon
2. Use with Lever Lock Rings on Page 10