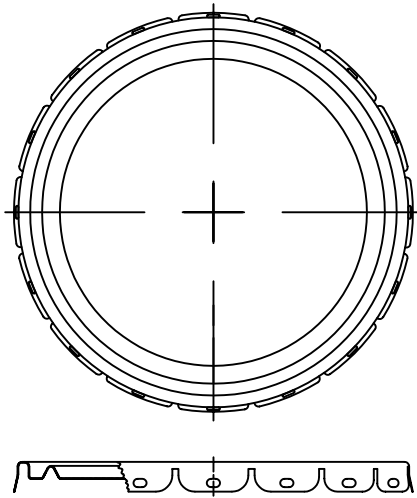


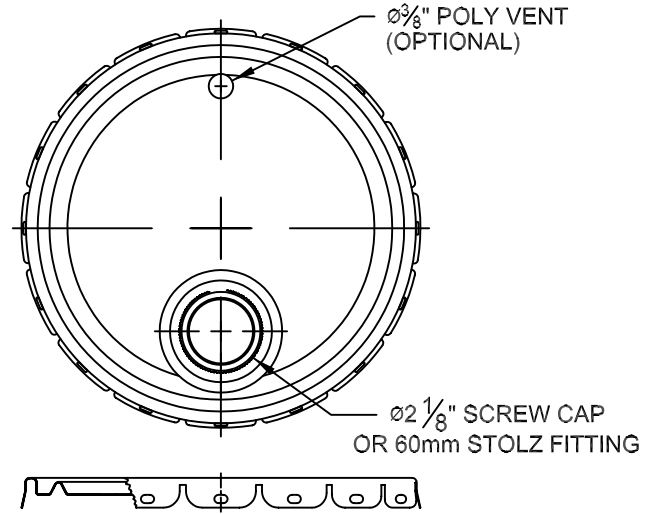


Hi-Perform Lug Cover

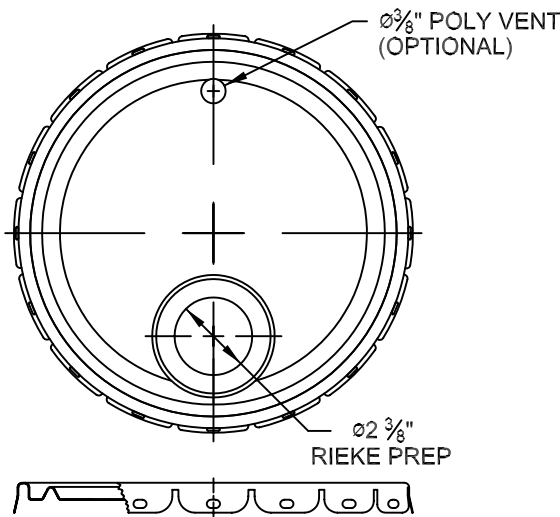
(UN Regulated)



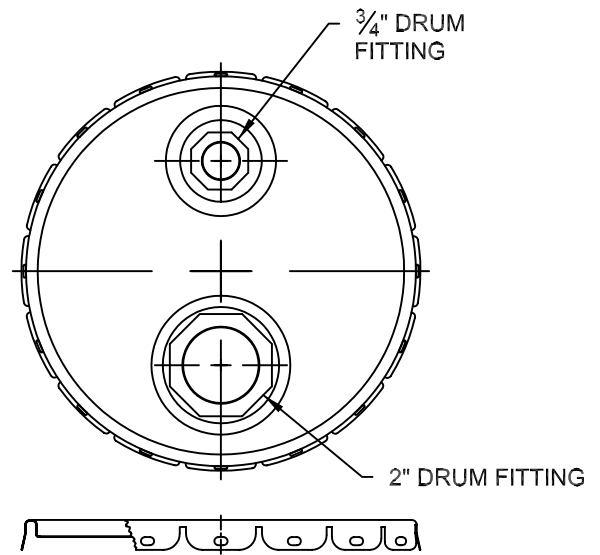
Hi-Perform Cover



Screw Cap & Stolz Fitting:



Rieke Prep:



Drum Fittings:

COVER GASKETS AVAILABLE
Flow - in Gasket
G1 - EPDM Tubular Gasket
G2 - Neoprene Tubular Gasket - White
G3 - Neoprene Tubular Gasket - Black
G3Q - Neoprene Tubular Gasket
G6 - SBR Tubular Gasket - Black (small dia)

NOTES:

1. Fits all Steel pails 2.5 gallon to 7.0 gallon.