

Rieke Packaging Systems®

Customer Product Specification

Description	FS-10-8V Self Venting Flexspout® Assembly
Specification Number	03150106
Date	August 8, 2019
Prepared By	Brian Jordan
Approved By	Gary Baughman

Parameter	Specification
Material(s) of Construction	Type:- Polyethylene / Mild Steel ~ All components that come in contact with contents as shipped comply to FDA regulation 21 CFR (code of Federal requirements) 177.1520
Standard Color (Other Colors Available Upon Request)	Natural Body and Tamper Cap Black Cap Plated Retainer
Nominal Dimensions in Inches (mm)	N/A
Opening Print Drawing Number Revision	M0531-02 (plastic) Revision: C M0036 (metal inside curl) Revision: D
Special Markings	Limited printing available on request
Accessories	N/A
Applied Torque	N/A
Method of Delivery	500 pcs/carton ~32 lbs gross/carton 24 cartons/pallet
Components	Body (anti-glug) / Cap / Plated retainer • Do not exceed temperature of 125° F
Drawing Number Revision	28000404 A

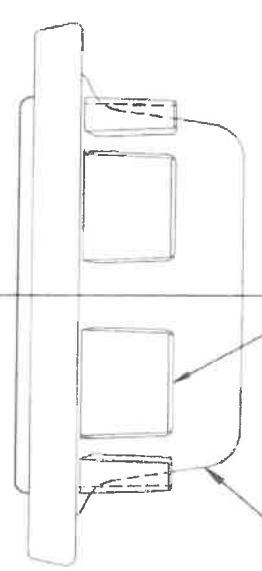
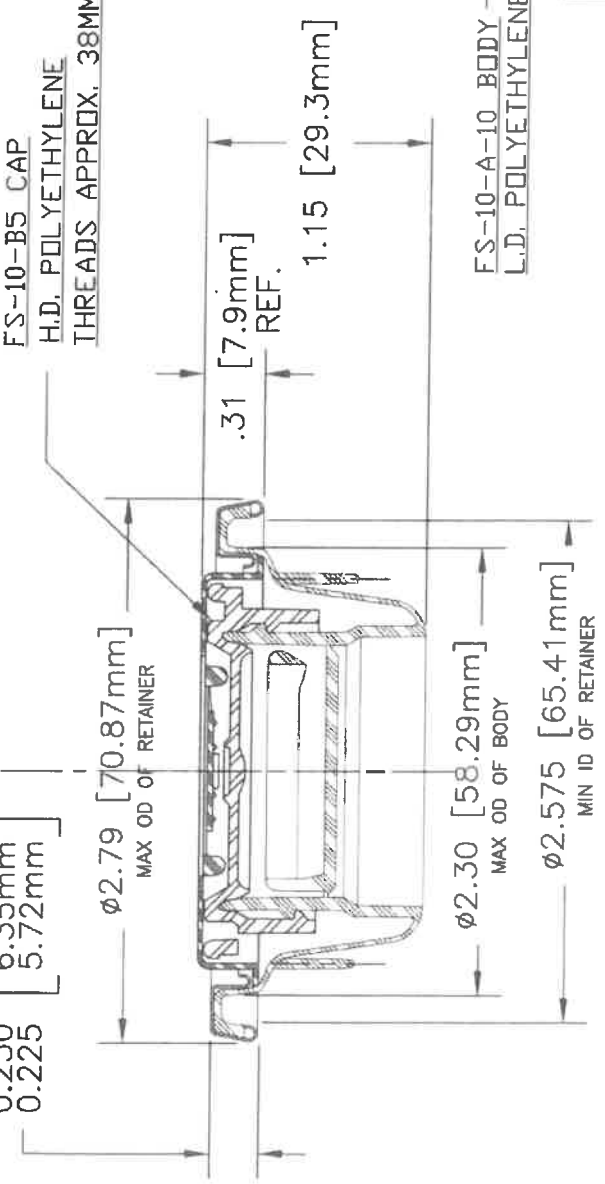
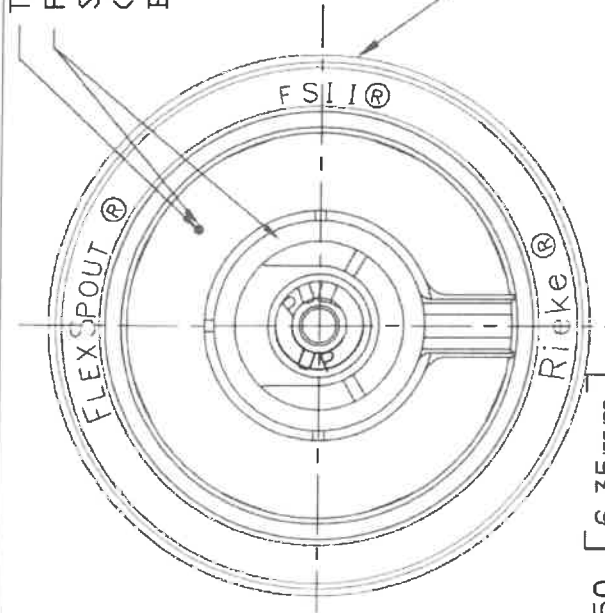
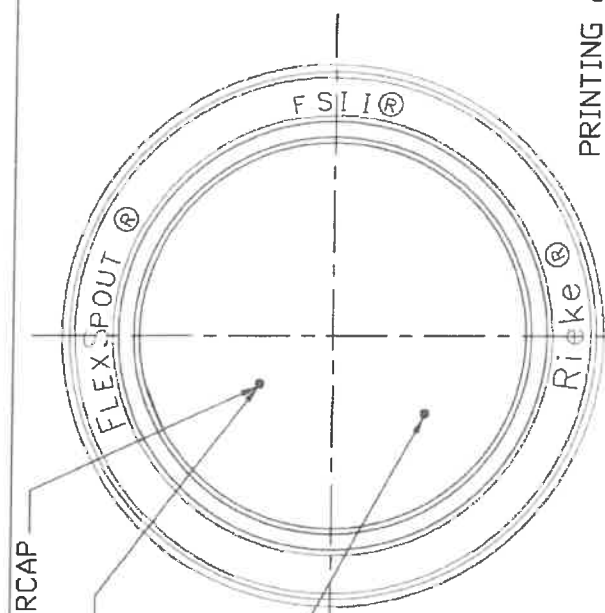
TEAR-OUT TAMPER EVIDENT OVERCAP
 PULL-OUT STYLE = #300
 SOLID PLY-OUT STYLE = #624
 (PRINTING AVAILABLE ON
 BOTH STYLE TAMPER CAPS)

SOLID STYLE TAMPER
 EVIDENT CAP SHOWN
 HERE (#624)

FS-10-C-10 RETAINER
 ZINC PLATED STEEL OR
 ALUMINUM

FS-10-B5 CAP
 H.D. POLYETHYLENE
 THREADS APPROX. 38MM

FS-10-A-10 BODY
 L.D. POLYETHYLENE



CUSTOMER DRAWING

Rieke Corporation - Auburn, Indiana	
DETAIL NAME	
TOOL ASSY. NAME	FS10-8V FLEXSPOUT® ASSEMBLY
PRODUCT	FS-10-8V-300 & 624
DRAWING NUMBER	28000404
FOR	RIEKE CRIMP-ON CLOSURE OPENING
MATERIAL	TEMPER
DETAIL NUMBER	FS-10-8V
	FS-10-8V

BREAK ALL SHARP EDGES WITH 1/64" RADIUS, UNLESS OTHERWISE SPECIFIED	DRAWN BY	GMB
THE FOLLOWING TOLERANCES APPLY UNLESS OTHERWISE SPECIFIED:	DATE	NOV.16
ANGLES ±1/4°	CHECKED	GMB
HUNDRETHS ±.020 / 0.5MM	APPROVED	
THOUSANDTH ±.010 / 0.25MM	SCALE	NTS
	REDRAWN FOR CLAIRTY	11-16-2018
	CHANGE NUMBER	A
	DATE	11-16-2018
	BY	GMB